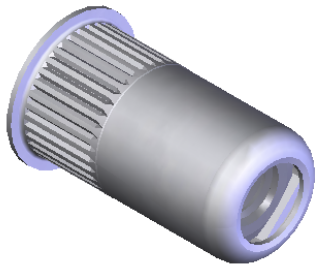
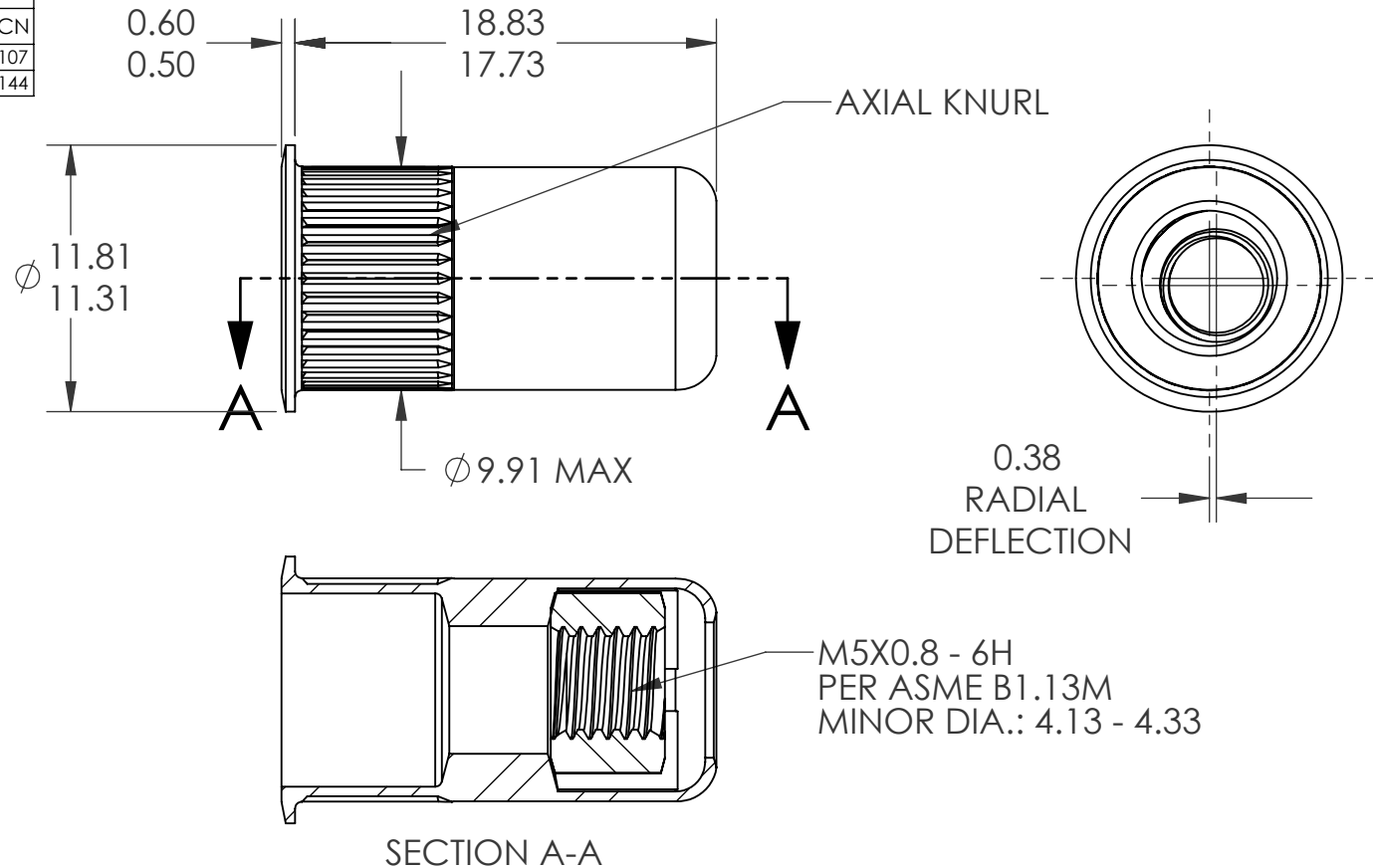


REVISIONS			
REV.	DESCRIPTION	DATE	ECN
A	INITIAL RELEASE	10/30/08	1107
B	CHANGED ANVIL SIZE	2/6/09	1144



NOTE:


- GRIP RANGE: 0.7 - 3.8
- HOLE SIZE: $\phi 10.00 +0.15/-0.00$ AFTER ALL APPLIED FINISHES.
- INSTALLED LENGTH: 13.25 REF.
- LUBRICATION: NONE
- INSTALLATION TOOL: MS 50 SPIN-PULL (ANVIL - MA-215-05MMRF)

U.S. PATENT NO. 7,713,011

PROPRIETARY AND CONFIDENTIAL

THIS DRAWING, AND THE INFORMATION CONTAINED HEREIN, ARE THE PROPERTY OF SHEREX AND ARE NOT TO BE USED IN ANY MANNER DETRIMENTAL TO THE INTEREST OF THE COMPANY.
SHEREX SOLUTIONS RESERVES THE RIGHT TO REVISE PART/DRAWING WITHOUT NOTICE.

		UNLESS OTHERWISE SPECIFIED:		NAME	DATE
		DIMENSIONS ARE IN MILLIMETERS TOLERANCES: ANGULAR: MACH ± 1 BEND ± 1 TWO PLACE DECIMAL $\pm .25$ THREE PLACE DECIMAL $\pm .125$	DRAWN	JVK	10/30/08
		INTERPRET GEOMETRIC TOLERANCING PER: ASME Y14.5M-1994	CHECKED		
		MATERIAL BODY: C1008/1010 NUT: MED. CARBON STEEL	ENG APPR.	JVK	10/30/08
		FINISH BODY AND NUT: ZINC PLATE CLEAR TRivalent CHROMATE RoHS COMPLIANT; 8-12 μ m	MFG APPR.	AP	11/13/08
			Q.A.		
			COMMENTS:		
				E-mail: info@sherex.com www.sherex.com Phone: 866-474-3739 Fax: 716-875-0358	
NEXT ASSY	USED ON				
APPLICATION		DO NOT SCALE DRAWING			

		
TITLE:		
SMALL FLANGE RIV-FLOAT®		
SIZE DWG. NO.	REV	
A RFK2-580-3.8	B	
SCALE: 2:1	WEIGHT: .0051 kg	SHEET 1 OF 1